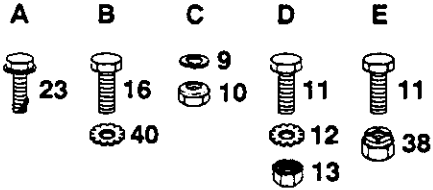
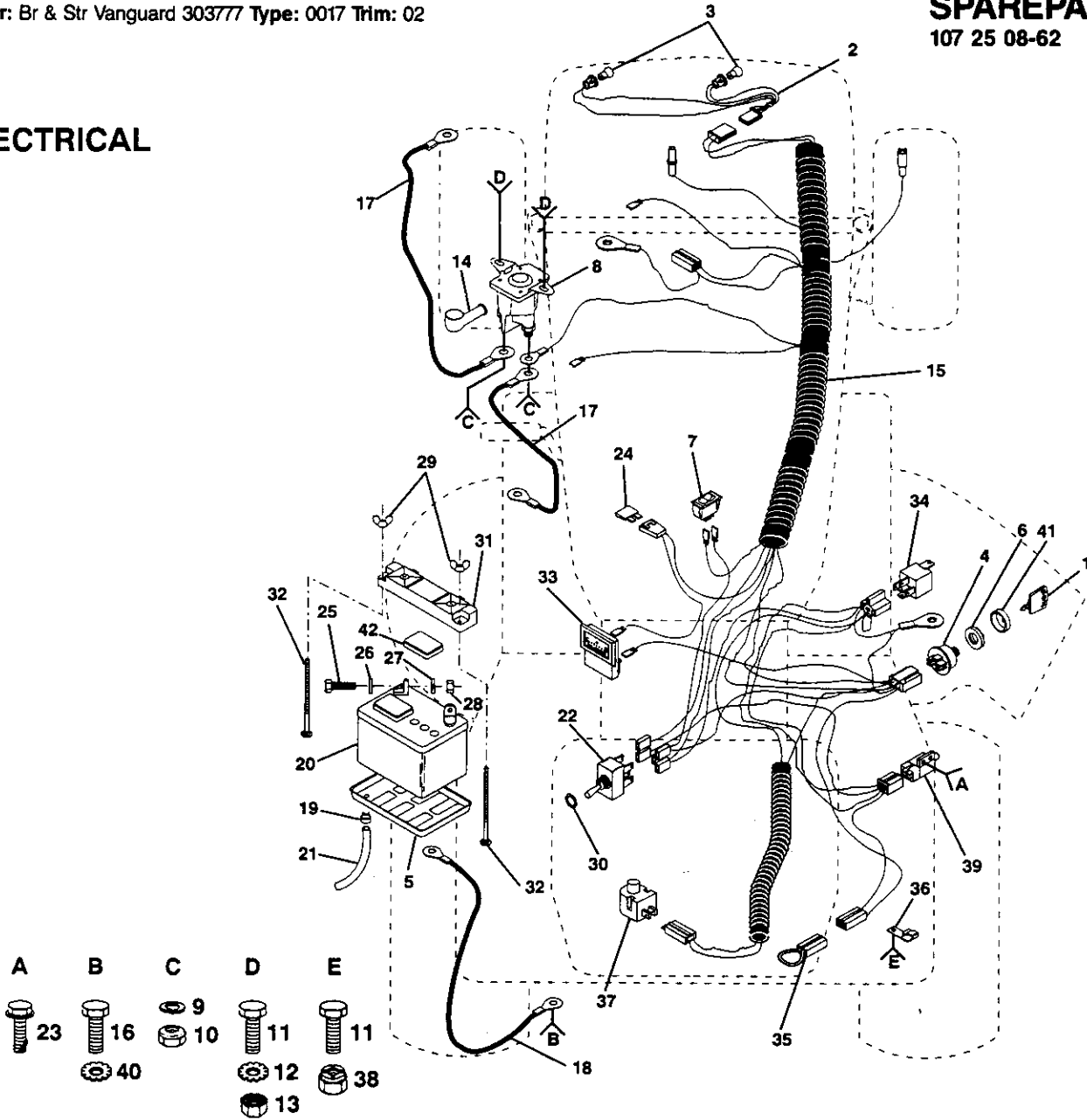


Prod. nr. 16-115: 954 00 10-91
 Motor: Br & Str Vanguard 303777 Type: 0017 Trim: 02

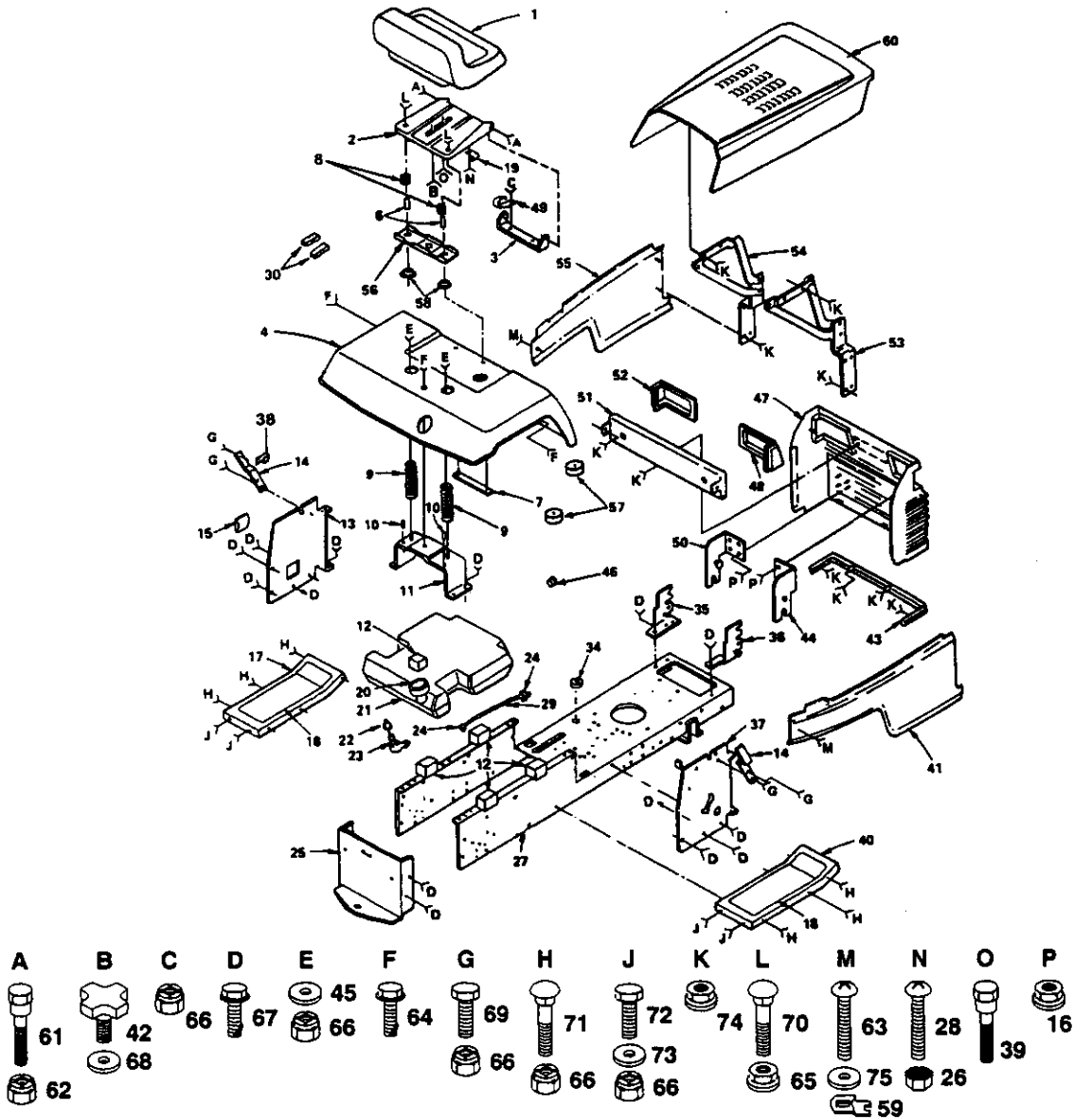
SPAREPARTS
 107 25 08-62

ELECTRICAL



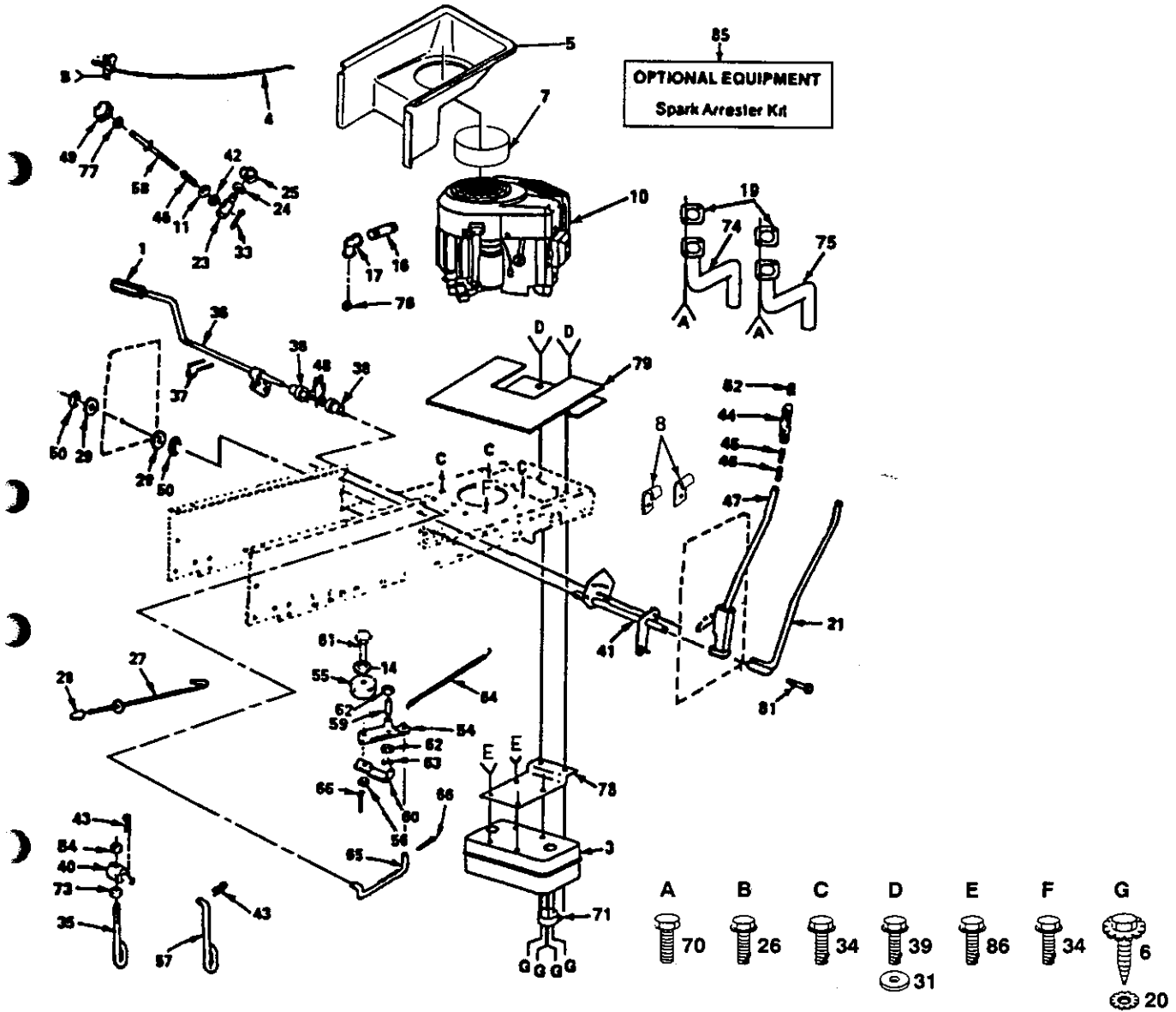
No.	Part no.	Description	No.	Part no.	Description
1	532 12 21-47	Key, Moulded	23		Screw, Tapping, Hex Washer Head
2	532 11 08-59	Harness, Light Socket	24	532 10 88-24	*10-24 x 1/2
3	532 00 41-52	Bulb, Light	25	874 76 04-12	Fuse
4	532 10 29-72	* Wwitch, Ignition	26		Bolt, Hex 1/4-20 x 3/4
5	532 00 76-03	Tray, Battery	27		Washer 9/32 x 5/8 x 16 Gauge
6	532 10 97-88	Nut, Hex 5/8-32	28		Washer, Lock 1/4
7	532 11 07-12	Switch, Light	29	532 12 31-98	Nut, Hex 1/4-20
8	532 10 90-81	Solenoid	30	532 00 40-22	* Nut, Wing 1/4-20
9		Washer, Lock 1/4	31	532 10 24-76	Nut, Hex
10		Nut, Hex, Jam 1/4-20	32	872 24 04-60	* Guard, Terminal
11		Bolt, Hex 1/4-20 x 1/2 Grade 5	33	532 12 28-22	Bolt, Carriage 1/4-20 x 7-1/2
12		Washer, Lock, External Tooth 1/4	34	532 10 97-48	Ammeter
13		Nut, Keps 1/4-20	35	532 10 25-01	* Relay Assembly
14	532 00 07-19	* Cover, Terminal	36	532 12 49-95	* Loop, Interlock, Tiller Attachment
15	532 12 56-22	Harness, Ignition	37	532 12 13-05	* Clip, Insulated
16		Bolt, Fin. Hex 3/8-16 x 1	38		Switch, Plunger
17	532 12 47-70	Cable, Battery	39	532 10 95-53	Nut, Crownlock 1/4-20
18	532 12 47-73	Cable, Battery	40		Switch, Interlock
20	532 02 01-50	Battery	41	532 10 97-87	Washer, Lock, External Tooth 3/8
21	532 10 56-87	Tube, Battery Drain	42	532 12 22-64	Bezel, Ignition
22	532 12 51-01	Switch, PTO			Cap, Battery

CHASSIS AND ENCLOSURES



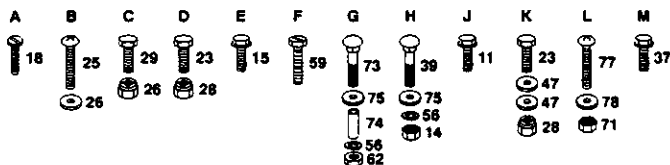
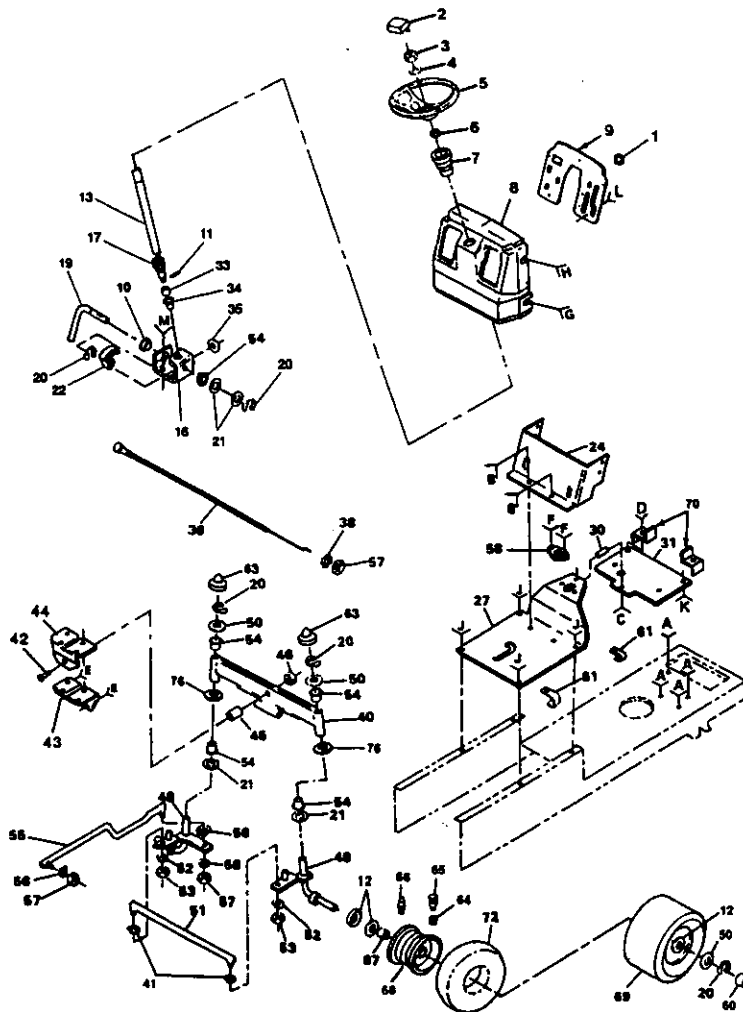
No.	Part no.	Description	No.	Part no.	Description
1	532 12 14-42	Seat	42	532 12 00-68	Knob, Seat, 1/2"
2	532 12 42-94	* Pan, Seat	43	532 11 03-50	* Strap, Assembly, Grill
3	532 12 66-56	* Bracket, Pivot, Seat	44	532 10 85-12	* Bracket, Pivot, RH
4	532 12 49-77	* Fender	45		Washer 13/32 x 1 x 14 Gauge
6	532 12 12-49	* Spacer, Split	46	532 11 04-36	* Grommet, Split
7	532 10 55-11	* Strap, Fender	47	532 10 55-28	* Grill
8	532 12 12-50	* Spring, Compression	48	532 10 60-03	* Lens, RH
9	532 12 41-81	* Spring, Compression	49	532 12 49-96	* Clip, Fuel Line
10	532 10 55-31	* Nut, Push	50	532 10 85-13	* Bracket, Pivot, LH
11	532 10 55-09	* Bracket, Fender	51	532 11 08-97	* Bezel, Headlight
12	532 10 60-82	* Pad, Spacer	52	532 10 60-04	* Lens, LH
13	532 10 55-23	* Panel, Dash, LH	53	532 10 60-91	* Hinge, RH
14	532 10 55-25	* Bracket, Support, Dash	54	532 10 60-90	* Hinge, LH
15	532 12 17-94	* Cover, Access	55	532 10 84-10	* Panel, Side LH
16		Pinut	56	532 12 12-46	* Bracket, Switch, Mount
17	532 10 54-65	* Footrest, LH	57	532 12 42-38	* Cap, Spring
18	532 10 82-56	* Pad, Footrest	58	532 12 12-48	* Bushing, Snap
19	532 12 49-96	* Clip, Insulated	59		U-Clip
20	532 12 35-49	* Cap, Fuel	60	532 10 80-13	* Hood
21	532 10 60-20	* Tank, Fuel	61	532 10 55-29	* Bolt, Shoulder 5/16-18
22	532 00 36-45	* Bushing	62		Nut, Crownlock 5/16-18
23	532 12 49-51	* Stern, Tank, Fuel	63	532 10 69-09	* Screw, Special
24	532 12 34-87	* Clamp, Hose	64		Screw, Hex, Washer Head Thd. Roll. 3/8-16 x 1/2
25	532 12 13-06	* Drawbar	65		Locknut, Flange 1/4-20 UNC
26		Nut, Keps * 10-32 UNF	66	873 68 06-00	* Nut, Crownlock 3/8-16
27	532 12 12-77	* Chassis Assembly	67		Screw, Hex, Washer Head, Thd. Roll. 3/8-16 x 3/4
28		Screw, Slotted Pan Head * 10-32 x 1/2	68		Washer 17/32 x 1-3/16 x 12 Gauge
29	532 00 85-42	* Line, Fuel	69		Bolt, Hex 3/8-16 x 1
30	532 12 12-51	* Strip, Foam 9/32 ID x 3/8	70		Bolt, Carriage 1/4-20 x 1-1/4
34	532 00 91-51	* Grommet	71		Bolt, Carriage 3/8-16 x 3/4
35	532 10 90-15	* Bracket, Pivot, Frame, LH	72		Bolt, Hex 3/8-16 x 3/4
36	532 10 90-16	* Bracket, Pivot, Frame, RH	73		Washer 13/32 x 13/16 x 12 Gauge
37	532 11 08-28	* Panel, Dash, RH	74	532 10 80-67	* Pinut
38	532 12 49-96	* Clip, insulated	75	532 10 69-10	* Washer
39		Bolt, Shoulder			
40	532 10 54-64	* Footrest, RH			
41	532 10 84-03	* Panel, Side, RH			

POWER AND MECHANICAL CONTROLS GROUP



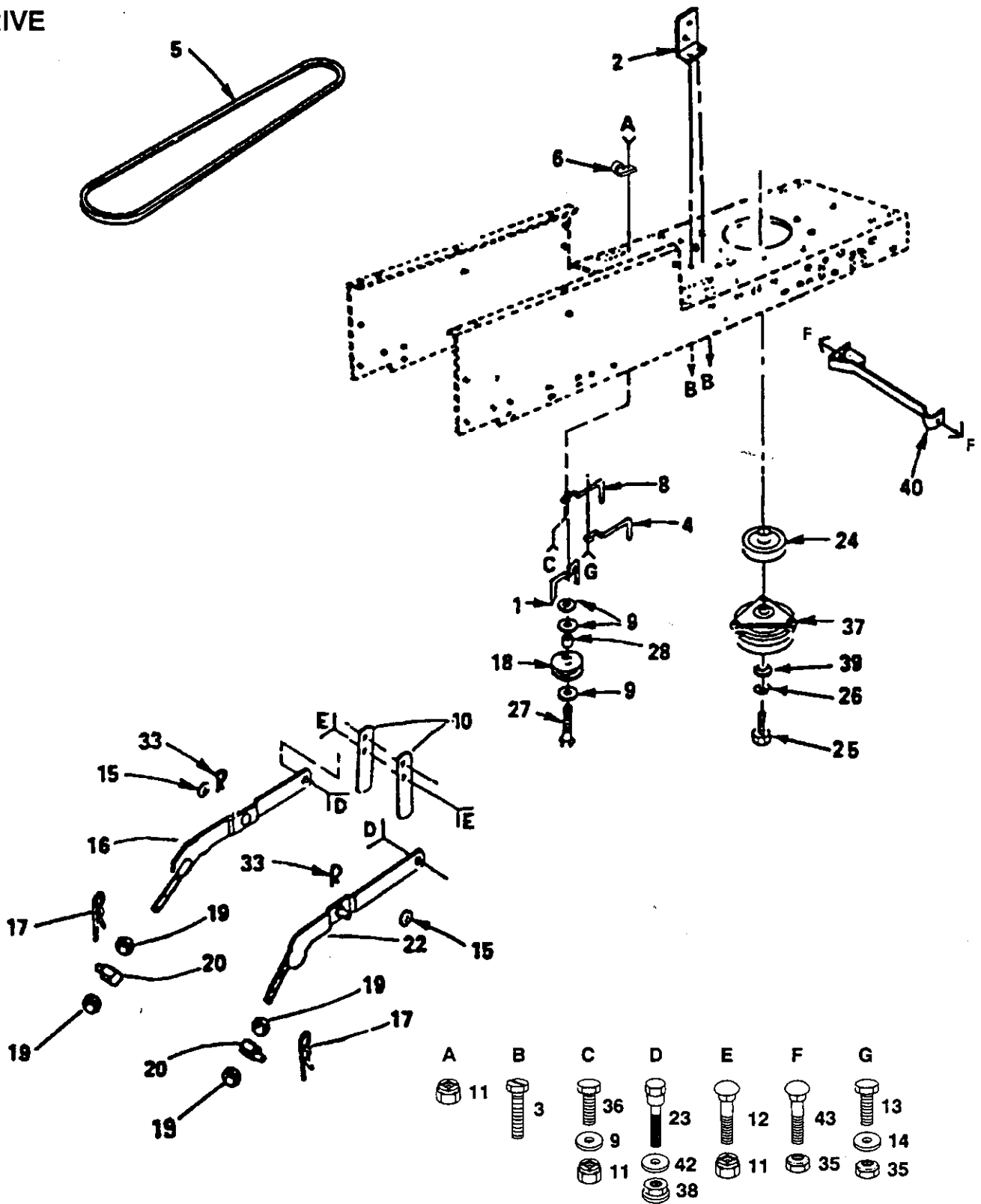
No.	Part no.	Description	No.	Part no.	Description
1	532 12 48-72	Cover, Pedal	41	532 12 00-01	Shaft Assembly, Lift
3	532 12 24-40	* Muffler	42	532 11 08-07	Nut, Hex, Special
4	532 12 31-81	Control, Intake	43	532 12 46-70	Retainer, Spring
5	532 10 59-53	* Air Duct, Intake	44	532 10 94-13	Grip, Handle
6		Screw, Hex, Spider Lock *8 x 1/2	45	532 12 59-25	Plunger, Lever, Lift
7	532 12 32-23	Extension, Air Duct	46	532 12 48-74	Spring
8	532 12 49-96	* Clip, Fuel Line	47	532 12 30-96	Lever Assembly, Hand Kit (Includes Key *21)
10		Engine, Briggs & Stratton, 16 HP, Model Number 303777 Type Number 0015-02	48		Washer 21/32 x 1 x 16 Gauge
11		Washer 13/32 x 5/8 x 16 Gauge	49	532 10 07-34	Knob, Adjust, Lift
14		Washer 13/32 x 13/16 x 16 Gauge	50		E-Ring
16		Pipe Nipple, Standard	52	532 12 59-25	Button, Plunger
17		90° Elbow, 3/8 NPT	54	532 12 37-89	Arm Assembly, Idler
19		Gasket, Muffler (See Engine-Pages For Replacement Part Number)	55	532 12 37-66	Pulley, Idler
20		Washer, Lock, External Tooth 3/4	56	873 36 80-00	Nut, Crownlock 3/8-16
21	532 12 10-06	Rod Assembly, Lever	57	532 11 00-29	Link, Lift
23	532 11 08-10	Trunnion, Depth Stop	58	532 11 07-29	Rod, Adjust, Lift
24		Washer 15/32 x 3/4 x 16 Gauge	59	532 10 57-06	Bearing
25		Ring, Klip	60	532 12 32-05	Retainer, Belt
26		Screw, Hex Washer Head, Thread Cutting 1/4-20 x 5/8	61		Bolt, Hex 3/8-16 x 1-1/2
27	532 12 56-37	Rod, Brake, Park	62		Washer, Hardened
28	532 07 16-73	* Cap, Plunger	63		Ring, Klip
29		Washer 29/32 x 1-1/4 x 16 Gauge	64	532 10 57-09	Spring, Return, Clutch
31		Washer 13/32 x 1 x 14 Gauge	65	532 10 57-10	Link, Clutch
33		Pin, Cotter 3/32 x 1/2	66		Pin, Cotter 1/8 x 3/4
34		Screw, Hex Washer Head Thd. Roll. 3/8-16 x 1-1/2 Type TT	71	532 10 13-26	* Deflector, Muffler
35	532 11 04-48	Lift, Link, Adjustable	73		Nut, Hex, Jam 7/16-20
36	532 12 24-24	* Shaft, Pedal, Foot	74	532 12 24-34	Tube Assembly, Exhaust, LH
37		Roll Pin 3/16 x 1	75	532 12 24-35	Tube Assembly, Exhaust, RH
38	532 12 01-83	Bearing, Nylon	77	873 35 06-00	Nut, Hex, Jam 3/8-16
39		Screw 5/16-18 x 3/4	78	532 12 24-39	Bracket, Muffler Mounting
40	532 11 04-47	Trunnion, Lift	79	532 12 29-81	* Shield, Heat
			81		Bolt, Hex 3/8-16 x 1-1/2
			84		Nut, Crownlock 7/16-20
			86		Screw, Hex Washer Head, Thread Cutting 1/4-20 x 1/2

STEERING AND FRONT AXLE



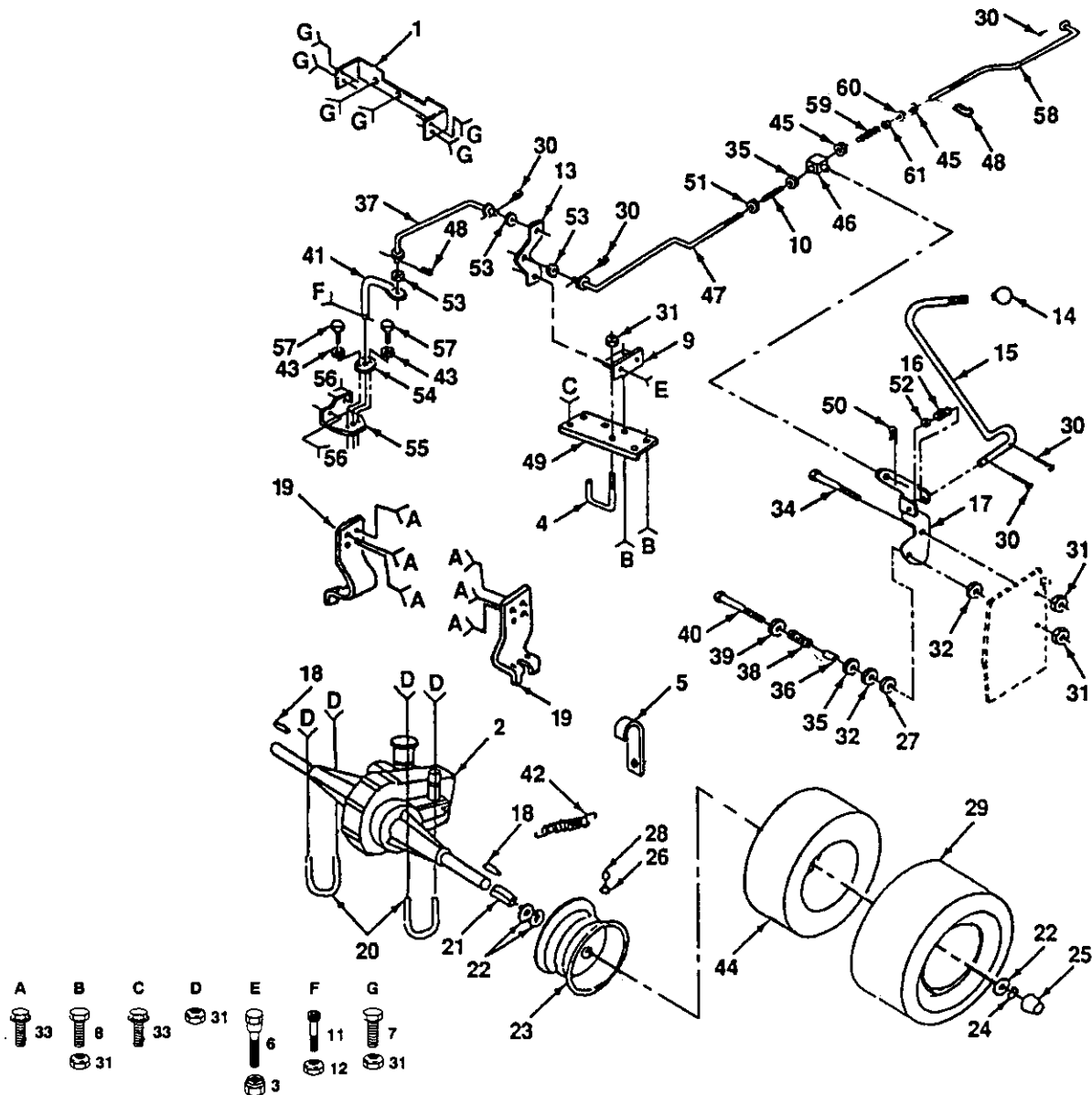
No.	Part no.	Description	No.	Part no.	Description
1	532 00 54-79	* Plug, Button	40	532 10 56-69	Axle, Front
2	532 10 07-10	Insert, Wheel, Steering	41		Washer 11/32 x 3/4 x 16 Gauge
3		Locknut, Top 1/2-20 UNF	42		Bolt, Hex 5/8-11 x 3-3/4
4	532 10 07-12	* Washer	43	532 10 56-64	* Support, Saddle, Front
5	532 10 07-13	Wheel, Steering	44	532 10 56-63	* Support, Saddle, Rear
6	532 10 07-11	* Adapter, Wheel, Steering	45	532 11 04-38	Bearing, Spacer, Axle, Front
7	532 10 60-15	Sleeve, Steering	46		Locknut, Hex with Washer Insert 5/8-16
8	532 12 00-28	* Dash	47		Washer 13/32 x 13/16 x 12 Gauge
9	532 12 47-68	Plate, Dash	48	532 10 56-56	Spindle, LH
10	532 10 96-16	* Nyliner, Snap In	49	532 10 56-54	Spindle, RH
11		Screw, Hex Washer Thd. Roll 3/8-16 x 1/2	50		Washer 25/32 x 1-5/8 x 16 Gauge
12	532 12 17-49	* Washer 25/32 x 1-1/4 x 16 Gauge	51	532 12 13-34	Rod, Tie
13	532 10 87-05	* Shaft, Steering	52		Washer, Lock, Heavy Helical Spring
14		Nut, Keps 3/8-16 UNC	53	873 91 05-00	Nut, Hex, Nylon 5/16-24 UNF
15		Screw, Hex Washer Head, Thd. Roll. 5/16-18 x 1/2	54	532 12 49-37	Bearing
16	532 11 01-50	* Bracket, Steering	55	532 10 57-27	Link, Bearing
17	532 10 86-85	Gear, Pinion	56		Washer, Lock 3/8
18	532 12 28-19	* Screw Special	57		Nut, Hex 3/8-24
19	532 10 86-83	Rod, Steering	58	532 12 47-20	Bushing, Steering
20		Ring, Klip	59		Screw, Hex * 10-16 x 1/2
21	532 12 49-31	Bearing, Thrust	60	532 10 47-57	* Cap, Axle, Front
22	532 10 86-84	Gear, Sector	61	532 12 49-96	* Clip, Fuel Line
23		Bolt, Fin. Hex 3/8-16 x 1	62		Nut, Hex 3/8-16
24	532 10 55-18	* Dash, Lower	63	532 12 12-32	Cap, Spindle
25		Screw, Crown Truss Hd. 5/16-18 x 3/4	64	532 05 91-92	* Cap, Valve
26		Nut, Crownlock 5/16-18	65	532 06 51-39	Stem, Valve
27	532 12 11-95	* Saddle	66	532 00 02-78	Fitting, Grease
28	873 68 06-00	Nut, Crownlock 3/8-16	67	532 00 90-40	Bearing
29		Bolt, Hes 5/16-18 x 2	68	532 10 67-32	Rim, Front
30	532 12 12-36	* Spacer	69	533 30 11-40	Tire, Front
31	532 10 60-01	* Plate, Support, Battery	70	532 12 44-60	* Bracket, Locator, Air Duct
33	532 07 45-80	* Spacer	71		Nut, Keps 1/4 NC
34	532 07 12-08	Bushing	72	532 05 99-04	Tube, Tire, Front
35	532 10 19-30	Washer, Hardened	73		Bolt, Carriage 3/8-16 x 2-3/4
36	532 12 15-22	Control, Choke	74	532 12 12-35	* Spacer
37		Screw, Hex Wash. Thd. Roll. 3/8-16 x 3/4	75		Washer 17/32 x 7/8 x 16 Gauge
38		Washer, Lock, Int/Ext. Tooth 3/8	76		Washer 27/32 x 1/4 x 16 Gauge
39	872 11 06-08	Bolt, Carriage 3/8-16 x 1	77		Screw, Pan Head 1/4-20 x 3/4
			78		Washer 13/32 x 3/4 x 16 Gauge

DRIVE



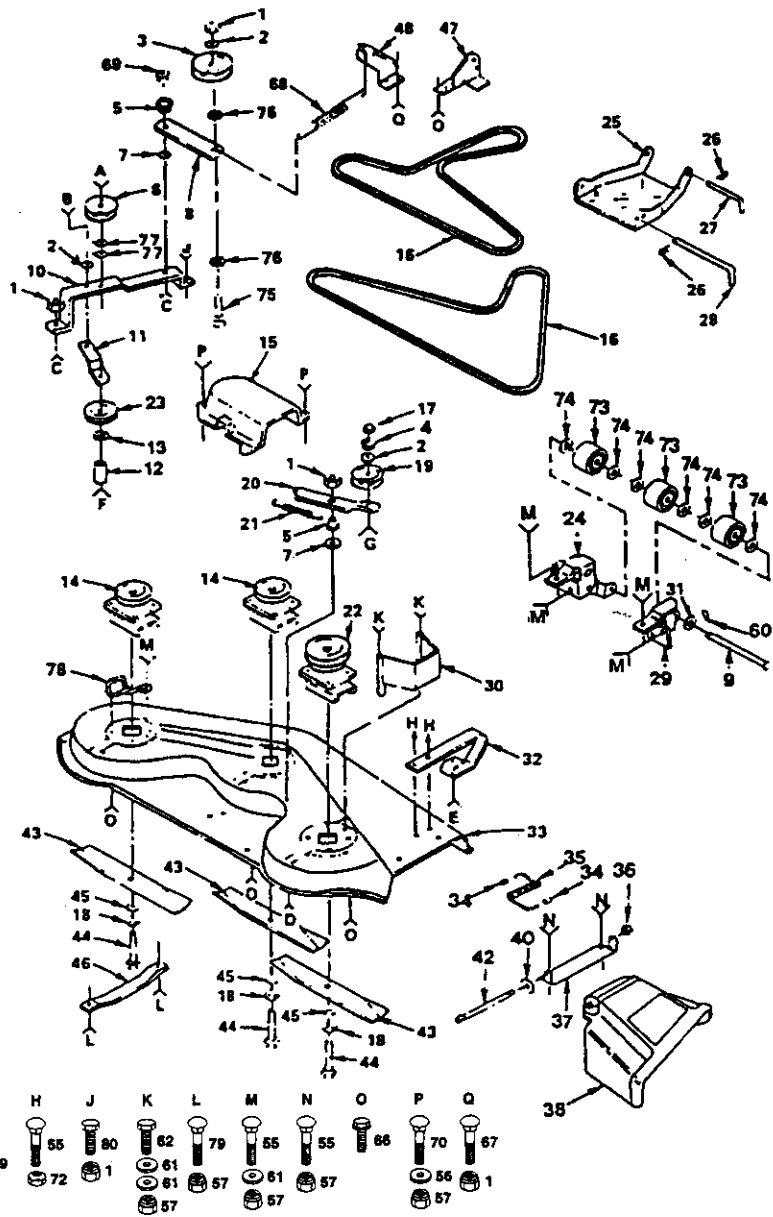
No.	Part no.	Description	No.	Part no.	Description
1	532 10 90-70	Retainer, Belt	20	532 10 63-08	Trunnion, Lift, Lower
2	532 10 82-36	Bracket, Switch	22	532 12 15-98	Arm Assembly, Suspension, RH
3		Screw, Tapping, Hex *10-24 x 1/2	23	532 10 58-48	Bolt, Shoulder 3/8-16
4	532 10 57-30	Keeper, Belt, Engine	24	532 10 98-41	Pulley, Engine
5	532 12 34-61	V-Belt, Drive	25		Bolt, Hex, Fin 7/16-20 UNF x 4-1/4
6	532 12 49-96	* Clip, Fuel Line	26		Washer, Lock 7/16
8	532 12 12-18	Keeper, Belt, Engine	27		Bolt, Hex 3/8-16 x 2-3/4
9		Washer 13/32 x 13/16 x 12 Gauge	28	532 00 44-70	* Spacer
10	532 12 12-52	* Upstop, Mower	33		Spring, Retainer
11	873 68 06-00	Nut, Crownlock 3/8-16	35		Locknut 5/16-18
12		Bolt, Carriage 3/8-16 x 1	36		Bolt, Hex 3/8-16 x 1
13		Oil, Hex 5/16-18 x 1	37	532 10 82-18	Clutch, Electric
14		Washer 11/32 x 3/4 x 12 Gauge	38		Nut, Centerlock, Flange 3/8-16
15		Washer 17/32 x 15/16 x 16 Gauge	39	532 12 61-97	* Washer 1-1/2 x 15/32 x 1/4
16	532 12 15-99	Arm Assembly, Suspension, LH	40	532 10 91-69	Locator, Clutch
17	532 00 91-35	Retainer, Spring	42	532 11 07-39	* Washer, Spring
18	532 12 36-74	Idler, Flat	43	872 14 05 06	* Bolt, Carriage 5/16-18 x 3/4
19		Nut, Hex 1/2-13			

TRANSAXLE AND REAR WHEEL



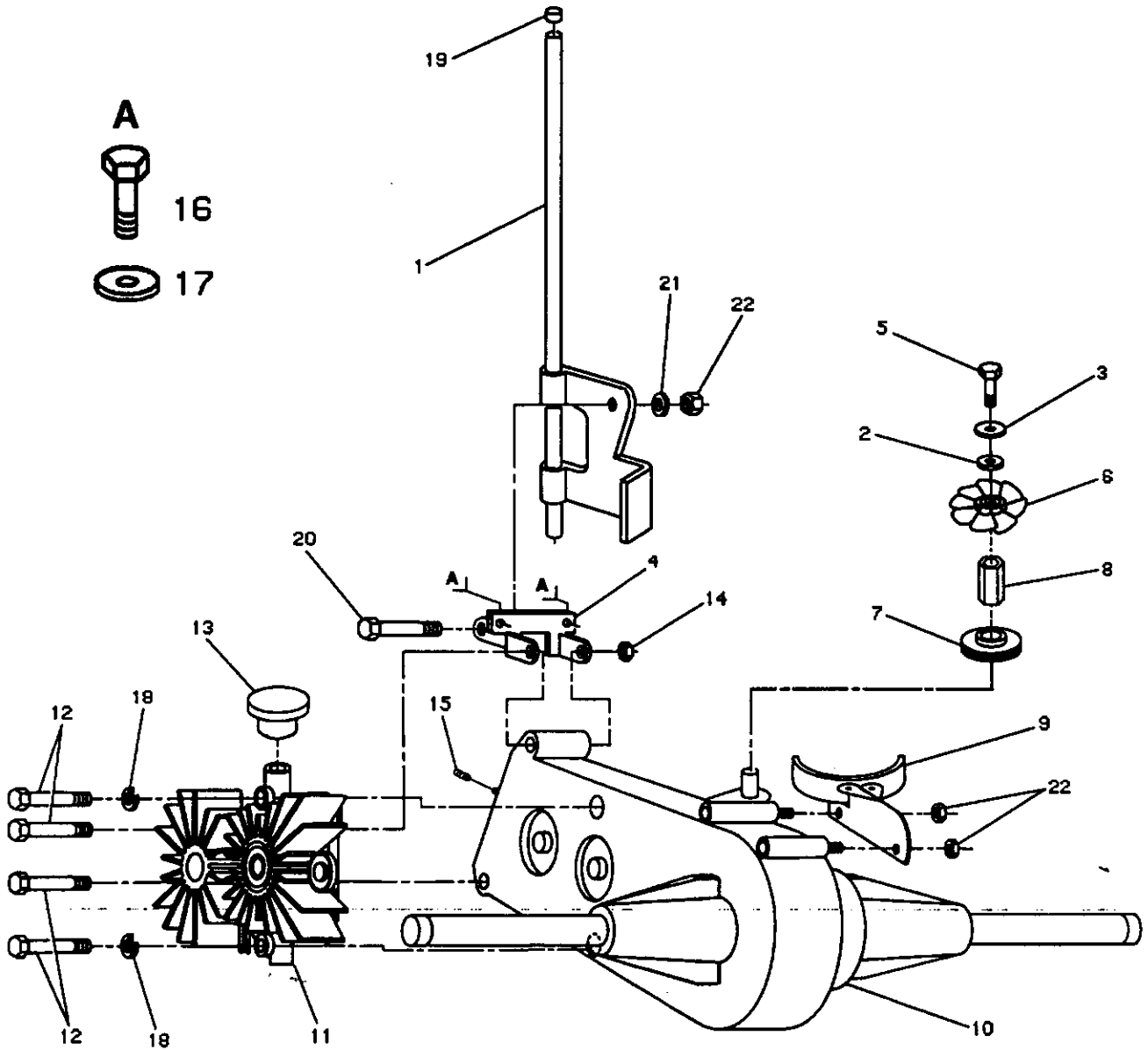
No.	Part no.	Description	No.	Part no.	Description
1	532 12 11-87	* Bracket, Mounting, Hydro	33		Bolt, Shoulder 3/8-16 x 3/4
2		Transaxle, Agri-Fab, Hydro	34	532 10 85-18	Bolt, Shoulder 3/8-16 x 1-3/8
3		Nut, Crownlock 5/16-18	35		Washer 21/32 x 1-1/4 x 16 Gauge
4	532 12 11-90	Keeper, Centerspan	36	532 10 82-01	* Spacer
5	532 12 49-96	* Clip, Fuel Line	37	532 12 12-02	Link, Control
6	532 10 05-36	Bolt Shoulder	38	532 10 88-44	Spring, Compression
7		Bolt, Hex Fin. 3/8-16 UNC x 3/4	39		Washer 13/32 x 1-1/4 x 12 Gauge
8		Bolt, Hex Fin. 3/8-16 UNC x 1	40		Bolt, Hex 3/8-16 x 3
9	532 12 12-06	* Bracket, Bellcrank, Pivot	41	532 12 12-09	Arm Assembly, Pump Control
10	532 10 26-70	* Spring, Compression	42	532 11 04-22	Spring, Brake Return
11		Screw, Hex Socket Head *10-24 UNC	43		Washer 7/32 x 1/2 x 16 Gauge
12	532 06 91-80	Locknut *10-24	44	531 02 01-87	Tube, Tire
13	532 12 12-04	* Bellcrank	45		Locknut, Hex w/Washer
14	532 10 69-33	* Knob, Control	46	532 10 82-12	Trunnion
15	532 12 12-01	Rod, Control	47	532 12 12-08	* Rod, Control, Adjustable
16	532 12 16-31	Spring, Torsion	48	532 12 47-88	Clip, Hairpin
17	532 10 81-96	* Bracket, Control Rod	49	532 12 31-86	* Bracket, Chassis Reinforcement, Hydro
18	532 12 35-83	Key, Square 2.5 x .1845/ .1865	50		Spring, Retainer
19	532 12 11-91	Bracket, Transaxle	51		Washer 13/32 x 3/4 x 12 Gauge
20	532 12 11-89	U-Bolt 3/8-16 x 2-7/8	52		Washer 15/32 x 15/16 x 16 Gauge
21	532 12 11-99	* Spacer, Split	53	532 11 07-39	* Washer, Spring
22	532 12 17-48	Washer 25/32 x 1-5/8 x 16 Gauge	54	532 12 12-17	* Guide, Control
23	532 10 61-08	Rim, Rear	55	532 12 12-16	* Bracket, Control Guide
24		E-Ring	56		Screw, Hex Washer Head,
25	532 10 47-57	* Cap, Axle			Thd., Roll. 5/16-18 x 3/4 Type TT
26	532 06 51-39	Stem, Valve	57		Screw, Tapping, Hex
27	532 10 89-72	* Washer, Phenolic			Head *10-24 UNC x 1/2 Type TT
28	532 05 91-92	* Cap, Valve	58	532 12 12-00	Rod, Brake
29	533 05 82-76	Tire, Rear	59	532 10 68-88	Spring, Brake Rod
30		Pin, Cotter 1/8-16	60		Washer 13/32 x 13/16 x 16 Gauge
31	873 68 06-00	Washer, Friction	61	873 35 06-00	Nut, Hex, Jam 3/8-16 UNC
32	532 10 82-00	* Screw, Hex Washer Head,			
		Thd., Roll. 3/8-16 x 3/4			

MOWER DECK



No.	Part no.	Description	No.	Part no.	Description
1		Nut, Crownlock 3/8-16	38	532 10 97-85	Guard, Discharge
2		Washer 13/32 x 1 x 14 Gauge	39		Washer 11/32 x 5/8 x 16 Gauge
3	532 12 13-16	Pulley, Idler	42	532 10 67-35	* Rod, Hinge
4		Washer, Lock 3/8	43	532 12 22-65	Blade, Mower
5	532 10 69-02	* Spacer	44	874 61 06-24	Bolt, Hex 3/8-24 x 1-1/2 Grade 5
6	532 12 48-58	Pulley, Idler	45		Washer 13/32 x 1-1/4 x 12 Gauge
7	532 10 65-13	Washer, Wear	46	532 12 50-74	Runner, LH
8	532 12 14-25	Arm, Idler	47	532 12 38-07	Bracket, Suspension, Rear, RH
9	532 10 97-76	Pin, Pivot	48	532 12 38-08	Bracket, Suspension, Rear, LH
10	532 10 65-23	* Bar, Support, Idler	51		Bolt, Carriage 3/8-16 x 1-3/4
11	532 10 65-22	Brace, Idler, Deck	52		Bolt, Carriage 3/8-16 x 1
12	532 12 12-36	* Spacer	53		Bolt, Carriage 3/8-16 x 1-1/2
13		Washer 13/32 x 13/16 x 16 Gauge	54		Bolt, Hex 3/8-16 x 1-1/4
14	532 12 16-58	Mandrel, Secondary	55	872 14 05-06	Bolt, Carriage 5/16-18 x 3/4
15	532 10 62-14	Guard	56		Washer 11/32 x 11/16 x 16 Gauge
16	532 10 60-85	V-Belt	57		Nut, Crownloc
17		Nut, Hex 3/8-16	58		Bolt, Hex 3/8-16 x 3
18		Washer, Lock 3/8	59		Screw, Flat Head 3/8-16 x 2
19	532 10 29-32	Idler, Flat	60		Pin, Cotter
20	532 10 65-26	* Arm, Idler, Deck	61		Washer 11/32 x 3/4 x 16 Gauge
21	532 12 48-85	Spring, Extension	62		Bolt, Hex 5/16-18 x 5
22	532 12 17-06	Mandrel, Primary	66		Screw, Hex Washer Head, Thd., Roll. 3/8-16 x 3/4
23	532 10 24-03	Pulley, Idler	67		Bolt, Carriage 3/8-16 x 3/4
24	532 10 95-89	* Bracket, Lift, LH	68	532 10 27-27	Spring, Extension
25	532 10 56-62	Link, Parallel	69	873 93 06-00	Nut, Centerlock 3/8-16
26	532 00 49-21	Retainer, Spring	70		Bolt, Carriage 5/16-18 x 3/4
27	532 10 57-44	Pin, Front Hinge	72	532 12 49-49	* Locknut 5/16-18
28	532 10 98-35	Pin, Rear Hinge	73	532 10 97-29	Roller, Nose
29	532 10 96-00	* Bracket, Lift, RH	74		Washer 15/32 x 1 x 10 Gauge
30	532 10 81-19	Guard, Belt, RH	75		Bolt, Carriage 3/8-16 x 2-1/2
31		Washer 15/32 x 1 x 16 Gauge	76		Washer 13/32 x 3/4 x 10 Gauge
32	532 12 49-50	Runner, RH	77		Washer 13/32 x 7/8 x 10 Gauge
33	532 12 14-23	Housing, Mower	78	532 12 13-52	Keeper, Mandrel, LH
34	532 10 53-04	* Cap, Sleeve	79		Bolt, Carriage 5/16-18 x 5/8
35	532 10 67-34	Spring	80		Bolt, Fin. Hex 3/8-16 x 1
36	532 11 04-52	Nut, Push			
37	532 10 97-43	* Bracket, Deflector			

DIFFERENTIAL AND PUMP ASSEMBLY



No.	Part no.	Description	No.	Part no.	Description
1	532 12 36-34	* Free Wheel Control Assembly	13	532 12 13-23	Reservoir, Pump
2		Washer 9/32 x 1-1/4 x 16 Gauge	14	532 12 12-50	Nut, Crownlock 5/16-18
3		Washer, Lock 1/4	15	532 12 12-50	Spring, Compression
4	532 12 11-88	* Bracket, Pnt., Mounting, Differential	16		Bolt 3/8-16 x 3/4
5		Bolt, Hex 1/4-20 UNC x 3/4	17	873 68 06-00	Nut 3/8-16 UNC
6	532 12 11-86	* Fan, Hydro, 8"	18		Washer, Lock
7	532 12 11-80	* Pulley, Transaxle	19	532 07 16-73	* Cap
8	532 12 12-11	* Standoff, Fan, Hydro	20		Bolt, Shoulder 1/4-20 UNC
9	532 12 11-82	* Guard Assembly, Belt	21	532 12 05-29	* Washer, Nylon
12		Bolt, Hex, Fin 5/16-18 UNC x 4-1/2	22		Nut, Crownlock 1/4-20 UNC